

THIS DRAWING IS UNPUBLISHED. RELEASED FOR PUBLICATION .19
 © COPYRIGHT 19 BY AMP INCORPORATED. ALL INTERNATIONAL RIGHTS RESERVED.

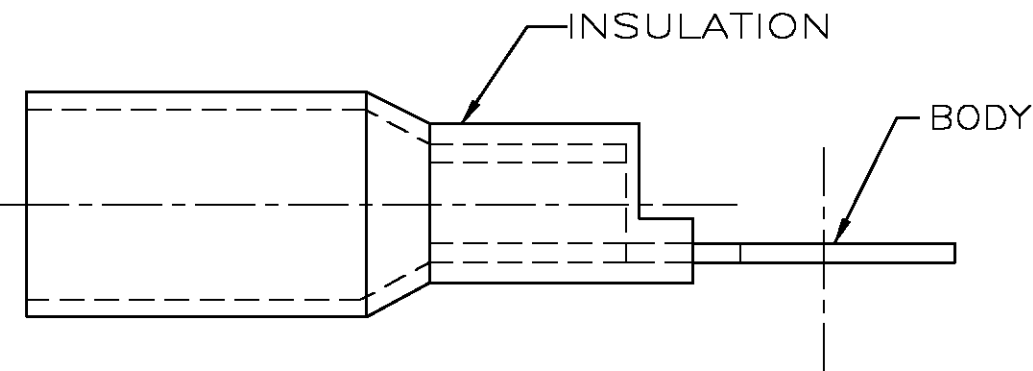
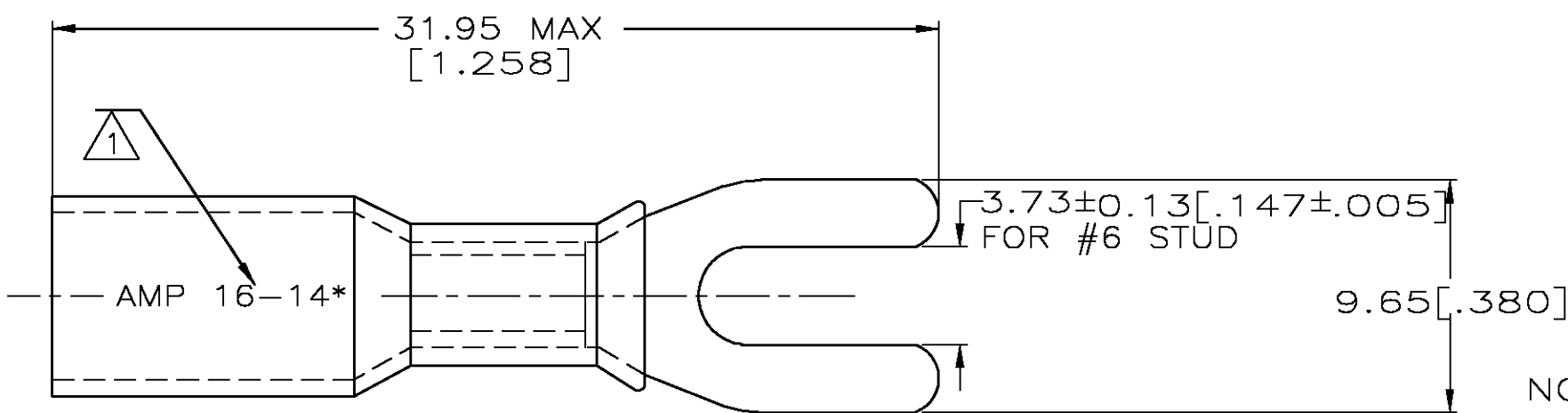
LOC	DIST	P	F	REVISIONS				
G	14			ZONE	LTR	DESCRIPTION	DATE	APPD
					B	REV PER 0G3A-0001-03	07JAN03	JR TM

AMP WIRE RANGE	Listed	Certified
16-14 AWG STRANDED	16-14 AWG STRANDED	16-14 AWG STRANDED

METRIC
 DIMENSIONS LISTED IN mm [INCHES]

NOTES:

- STAMP AMP 16-14* APPROX AS SHOWN
- WIRE INSULATION DIA 4.83mm [.190] MAX
- TONGUE MATERIAL THK 0.81±0.05mm [.032±.002]



AMP INCORPORATED CUSTOMER SERVICE SYSTEMS	
FOR ADDITIONAL PRODUCT INFORMATION OR COPIES OF DRAWINGS AND TECHNICAL DOCUMENTS	PRODUCT INFORMATION CENTER 1-800-522-6752
FOR APPLICATION TOOLING INFORMATION	TOOLING ASSISTANCE CENTER 1-800-722-1111
FOR ORDER ENTRY	1-800-526-5142

MAX RECOMMENDED OPERATING TEMPERATURE: 125° C MAX
VOLTAGE RATING: 600V MAX
CIRCULAR MIL AREA: 1.04-2.62mm ² [2050-5180] STRANDED

DO NOT SCALE PRINT. UNLESS SPECIFIED
TOLERANCES ON: 2 PLC DEC ± 0.20[.008] 3 PLC DEC ± - ANGLES ± -
MATERIAL BODY: ETP COPPER INSULATION: POLYOLEFIN COLOR: BLUE
FINISH EDP TIN PLATED

50	LOOSE PIECE	8-55869-2
1000	LOOSE PIECE	55869-1
QTY	PACKAGE TYPE	PART NO
DR 6/93 S S GOULDEN	AMP AMP Incorporated Harrisburg, PA 17105-3608	
CHK 6/93 R HERSEY		
APPD 6/93 B BARE	NAME	
APPD 6/93 M ELLIS	TERMINAL, SPADE TONGUE, SEALABLE HEAT SHRINKABLE	
PRODUCT SPEC	SIZE	CAGE CODE
APPLICATION SPEC	B	00779
WEIGHT	SCALE	DRAWING NO
-	NTS	C -55869
		SHEET
		1 OF 1